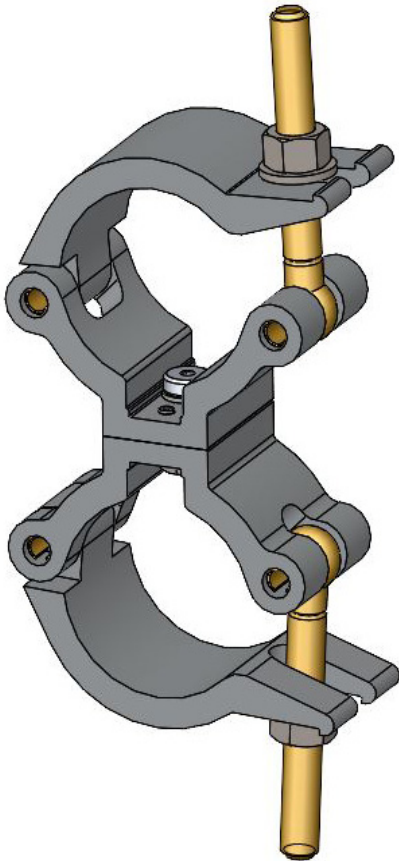




Product Data Sheet

Mammoth Parallel Coupler



A Mammoth Parallel coupler which provides a firm fixing between two bars	
Part Nos	T57440 - Polished T57441 - Powder Painted Satin Black
Tube Diameter	Ø60 - 63mm
Materials	Main Body - AW6082 T6 Aluminium Roll Pins - Stainless Steel Eyebolt - Grade 8.8
Max Tightening Torque	30Nm
Fixings	N/A
WLL	500Kg Vertical Load
Weight	0.90Kg
Factor of Safety	5:1
Approval	TÜV Approved

