

camstage

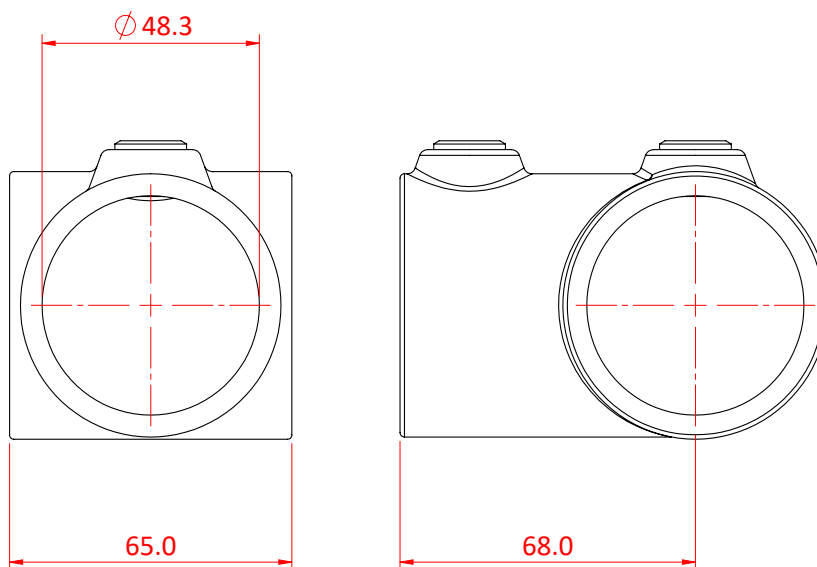
Product Data Sheet

Pipe Clamp Short Tee



A	
Part Nos	T10100 - Galvanised T1010001 - Satin Black over Galvanise
Tube Diameter	Ø48.3mm
Materials	Malleable Iron Fixings - Grade 8.8 BZP
Max Tightening Torque	40Nm
WLL	N/A
Weight	0.53Kg

Dimensions in mm



DIMENSIONS ARE A GUIDE ONLY AND MAY VARY

Camstage Ltd, Unit B, Batford Mill Industrial Estate, Lower Luton Road, Harpenden, Hertfordshire, AL5 5BZ

Tel: +44 (0) 01727 830151

Email: Sales-team@camstage.com

Web: Camstage.com