

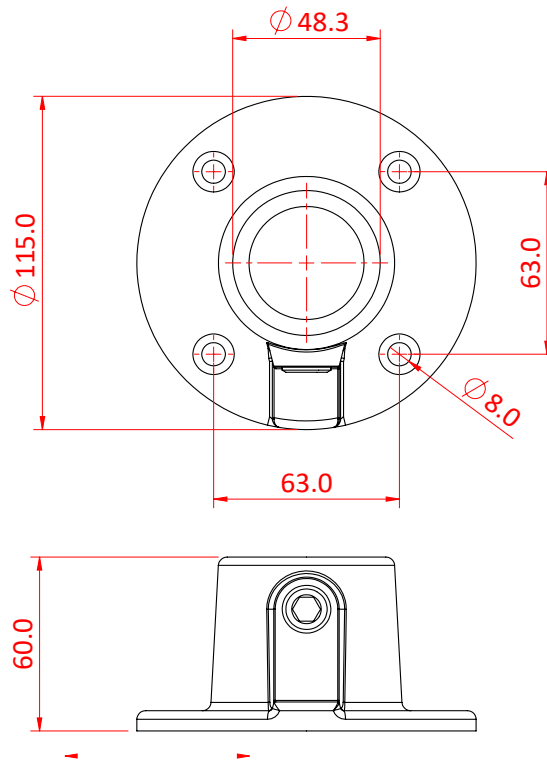
**camstage**

Product Data Sheet

# Pipe Clamp Railing Base Flange



A galvanised steel Pipe Clamp fitting.	
<b>Part Nos</b>	T13200 - Galvanised T1320001 - Satin Black over Galvanise
<b>Tube Diameter</b>	Ø48.3mm
<b>Materials</b>	Malleable Iron Fixings - Grade 8.8 BZP
<b>Max Tightening Torque</b>	40Nm
<b>WLL</b>	N/A
<b>Weight</b>	1.27Kg



DIMENSIONS ARE A GUIDE ONLY AND MAY VARY

**Camstage Ltd**, Unit B, Batford Mill Industrial Estate, Lower Luton Road, Harpenden, Hertfordshire, AL5 5BZ

**Tel:** +44 (0) 01727 830151

**Email:** Sales-team@camstage.com

**Web:** Camstage.com