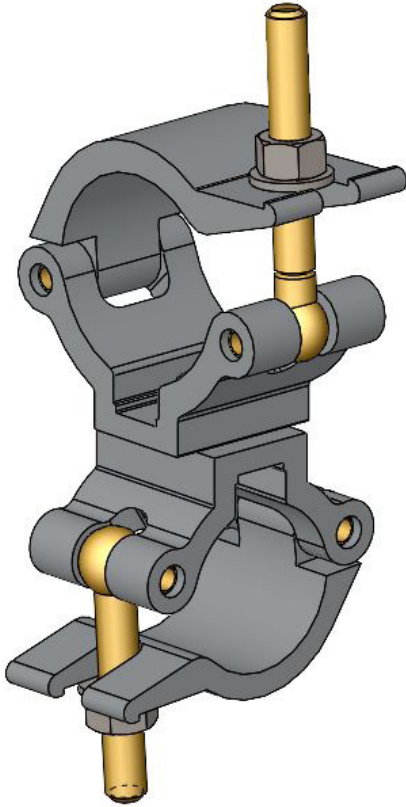




Product Data Sheet

Mammoth 50 to 60mm 90° fixed Coupler



A Mammoth coupler and Lightweight coupler 90° combination which provides a firm fixing between two bars	
Part Nos	T57435 - Polished T57436 - Powder Painted Satin Black
Tube Diameter	Ø48 - 51mm & Ø60 - 63mm
Materials	Main Body - AW6082 T6 Aluminium Roll Pins - Stainless Steel Eyebolt - Grade 8.8
Max Tightening Torque	30Nm
Fixings	N/A
WLL	500Kg Vertical Load
Weight	0.90Kg
Factor of Safety	5:1
Approval	TÜV Approved

